

# Panel Enclosures

## Wall-Mount Enclosures

### Type 12 Premier™ Series Double-Door with Quarter-Turn Latches

#### Data Sheet



#### Application

- Houses electrical controls and instruments
- Protects against circulating and windblown dust, falling dirt and dripping non-corrosive liquids

#### Standards

- UL 508 Listed, Type 12
- cUL Listed, Type 12
- Conforms to NEMA standard for Type 12

#### Finish

- Wash and phosphate undercoat
- ANSI 61 gray polyester powder finish

#### Accessories

- Premier panels
- NEMA panel adapters
- Depth adjustment brackets
- Print pockets
- Padlockable or keyed handles
- Security latch inserts
- Mounting foot kits
- See Accessories section, pages 154-159

#### Construction

- Enclosure and door are fabricated from code gauge steel (see page 153)
- All continuous welded seams are finished smooth
- Hardware kit provided contains grounding hardware, .312-18 flanged hex nuts for panel mounting, and sealing washers for body mounting holes

#### Body Construction

- Body flange trough design is formed around body opening to divert liquid contaminants away from door opening
- Reduced width flange design increases enclosure opening
- Ground stud provided in enclosure body
- .312-18 collar studs are provided for mounting optional Premier panels
- Enclosure mounting holes in body provided for direct mounting or optional mounting feet
- Utility bracket provides wire management and accessory mounting options

#### Door Construction

- Doors are secured to the body with a unique spring-loaded hidden hinge design on one side and slotted quarterturn flush latch(es) on the opposite side
- Doors are easily removed and interchangeable
- Door opens 170° for easy access
- Doors have a fixed, oil-resistant gasket
- Utility rail provides grounding, rigidity and wire management

#### Discount Schedule: C2

#### Subclass: TCO

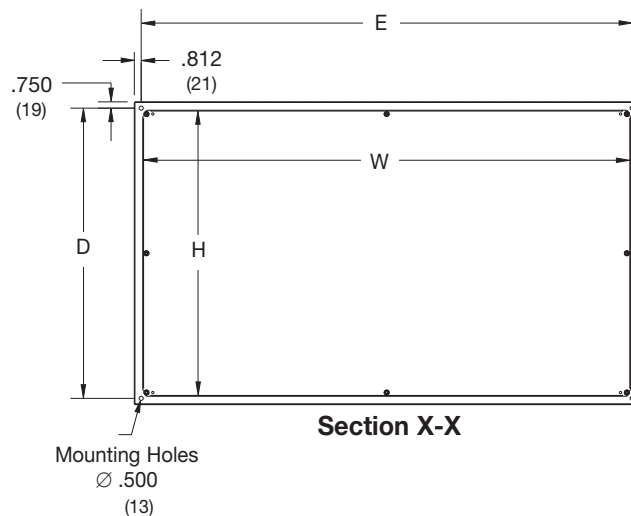
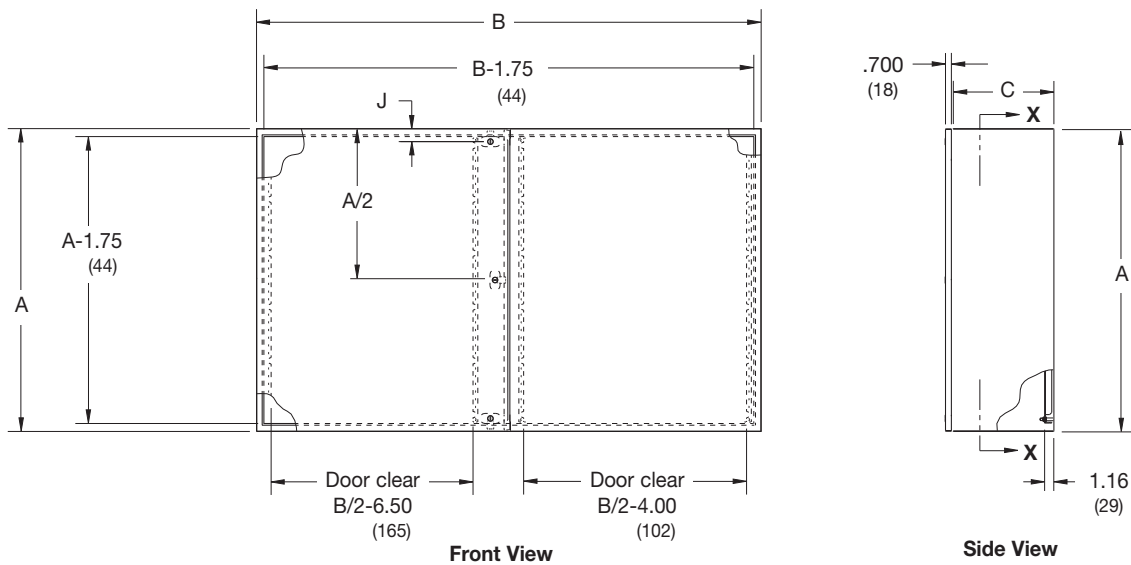
**Notes:** Cooper B-Line can provide special sizes, finishes and other modifications. Consult the factory for your special requirements.

## Wall-Mount Enclosures

### Type 12 Premier™ Series Double-Door with Quarter-Turn Latches

#### Illustration Sheet and Catalog Number

Enclosure Catalog Number Solid Door	Enclosure Size A x B x C		Door/Body Gauge	Panel Catalog Number	Panel Size H x W		Mounting D x E		Latch Qty.	J	
	in.	mm			in.	mm	in.	mm		in.	mm
24428-TD	24x42x8	610x1067x203	14/14	2442P	22.00x40.00	559x1016	22.50x40.37	572x1026	3	5.00	127
30488-TD	30x48x8	762x1219x203	14/14	3048P	28.00x46.00	711x1168	28.50x46.37	724x1178	3	5.00	127
306012-TD	30x60x12	762x1524x305	14/14	3060P	28.00x58.00	711x1473	28.50x58.37	724x1483	3	5.00	127
364812-TD	36x48x12	914x1219x305	14/14	4836P	34.00x46.00	864x1168	34.50x46.37	876x1178	3	5.00	127
366012-TD	36x60x12	914x1524x305	14/14	6036P	34.00x58.00	864x1473	34.50x58.37	876x1483	3	5.00	127



**Notes:** Dimensions are in inches. Millimeters shown are for reference only. Data subject to change without notice.

Type 4 Panel Enclosures